

UH-PHD30TA

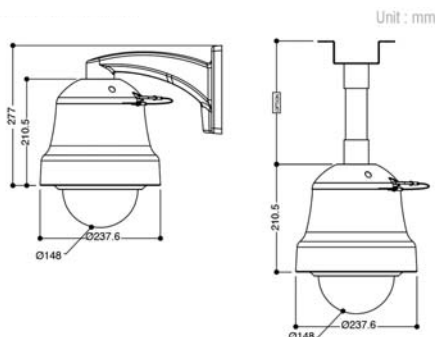
2MP x30, x20 Zoom HD-SDI Speed PTZ Dome Camera



FEATURES

- ◆ 1/3" 2MP 60fps Panasonic CMOS sensor
- ◆ 1080p 60fps/30fps, 720p 60fps
- ◆ HD-SDI, CVBS, TVI(Optional)
- ◆ x30 Optical Zoom (4.3mm ~ 129mm) & x32 Digital Zoom / x20 Optical Zoom (4.7mm ~ 94mm) & x32 Digital Zoom
- ◆ Day & Night (ICR)
- ◆ Realtime True WDR
- ◆ Digital Image Stabilizer
- ◆ Privacy Mask Function
- ◆ Digital Image Stabilizer
- ◆ High Light Compensation
- ◆ Defog Function
- ◆ 360° Endless Pan Rotation
- ◆ 255 Presets, 8 Tours, 8 Scans, 4 Patterns, 16 Areas, 8 Alarms
- ◆ RS-422, RS-485 communication
- ◆ Multiple Protocols
- ◆ -40°C ~ +60°C All weather High Tolerance
- ◆ Corrosion-resistant external ABS housing
- ◆ IP66 Outdoor Application
- ◆ Ease of installation and maintenance from PTZ docking cradle

FEATURES



SPECIFICATIONS

UH-PHD30TA	
Dimensions	237 (Ø) x 310mm (H)
Weight	Approximately 3.8kg
Dome bubble	148(Ø) polycarbonate clear dome cover
Body	Aluminum / ABS, IP66
Housing	Pendant mount (Wall/Ceiling)
Pan	0.1° ~ 120°/sec, Preset Speed 360°/sec, ±0.1° Accuracy
Tilt	0.1° ~ 120°/sec, Preset Speed 250°/sec, ±0.05° Accuracy
Heater & Cooling Fan	30W / 1000RPM Cooling Fan
ELECTRICAL	
Power Source	AC21 ~ 26V 60Hz / 50Hz (Power adaptor not included)
Operating Temperature	Outdoor: -40°C to 60°C (-40°F to 140°F) / with 35W Heater
Humidity	0~90% relative humidity (non-condensing)
COMMUNICATION	
PTZ Control / Method	RS-485 / RS-422
VIDEO	
Video Output	HD-SDI, CVBS, TVI(Optional)
CAMERA	
Image	1/3" Panasonic New Generation CMOS
Total Pixels	1956(H) x 1266(V) = 2,476,296 (pixel)
Active Pixels	1944(H) x 1092(V) = 2,122,848 (pixel)
Resolution	Digital: 1080p/60(50)fps, 1080p/30(25)fps, 720p/60(50)fps, 720p/30(25)fps
Lens	x30 zoom f=4.3mm (WIDE) ~ 129mm (TELE), F1.6 to F5.0, x20 zoom f=4.7mm (WIDE) ~94.0mm (TELE), F1.6 TO F1.6 to F3.5t
Digital Zoom	x32 (x960 with Digital zoom)
Angle of View (H)	Approx. 65.1° (WIDE end), approx. 2.34° (TELE end)
Min. Working Distance	100mm (WIDE end), 800mm (TELE end)
Sync System	Internal
Min. Illumination	Color:0.5 lux, BW: 0.1lux / Color DSS: 0.002lux, BW DSS: 0.001 lux
Recommended Illumination	100 to 100,000 lux
S/N Ratio	50dB (Weight ON)
Back Light Compensation	ON/OFF
Electronic Shutter Speed	1/30(25) ~ 1/60,000 sec
White Balance	Auto / One Push / Manual / Indoor / Outdoor
Gain	Auto/Manual (-3dB to +28 dB, 16 steps)
Wide Dynamic Range	ON/OFF/AUTO
Noise Reduction	ON/OFF (level 5 to 1 / OFF, 6 steps)
Color Enhancement	ON/OFF
Aperture Control	16 steps