

5 MP Dome Camera



MODEL **TA-AC326-OD-2.8**



KEY FEATURES

- 5 MP high performance COMS
- 2560 X 1944 resolution
- 2.8mm fixed lens
- EXIR 2.0, smart IR, up to 60ft IR distance
- OSD menu, 2D DNR, DWDR
- 4 in 1 video output (switchable TVI/AHD/CVI/CVBS)
- IP67, IK10
- Up the coax (UTC-C)

 CMS (Remote Viewing Apps) --- NVMS (PC / MAC)

 Mobile App --- Super Live Plus (ANDROID / IOS)

TA-AC326-OD-2.8

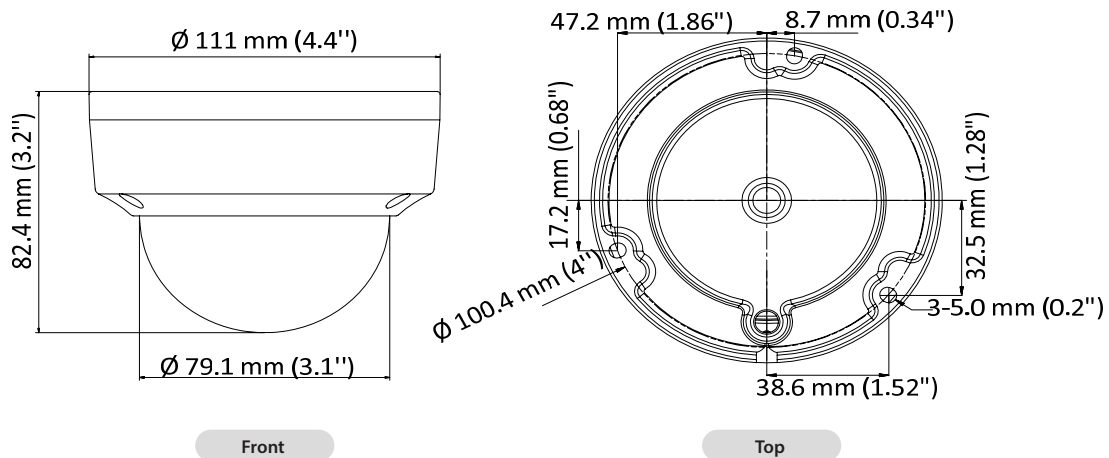
5 MP Dome Camera

SPECIFICATIONS

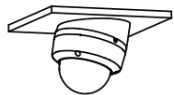
Specifications	Model	TA-AC326-OD-2.8
Camera		
Image Sensor		5 MP CMOS image sensor
Resolution		2560 (H) × 1944 (V)
Min. Illumination		Color: 0.01 Lux @ (F1.2, AGC ON), 0 Lux with IR
Shutter Time		PAL: 1/25 s to 1/50,000 s NTSC: 1/30 s to 1/50,000 s
Lens		2.8mm fixed lens
Horizontal Field of View		View 85.5° (2.8 mm),
Lens Mount		M12
Day & Night		IR cut filter
Angle Adjustment		Pan: 0° to 355°; Tilt: 0° to 75°; Rotate: 0° to 355°
Synchronization		Internal synchronization
Frame Rate		PAL: 5 MP@20fps, 4 MP@25fps, 1080p@25fps NTSC: 5 MP@20fps, 4 MP@30fps, 1080p@30fps
Menu		
AGC		Support
D/N Mode		Auto/Color/BW (Black and White)
White Balance		ATW/MWB

BLC	Support
DWDR (Digital Wide Dynamic Range)	Support
Language	English, Chinese
Functions	Brightness, Sharpness, DNR, Mirror, Smart IR
Interface	
Video Output	1 HD analog output
Switch Button	TVI/AHD/CVI/CVBS
General	
Operating Conditions	-40 °C to 60 °C (-40 °F to 140 °F), humidity: 90% or less (non-condensation)
Power Supply	12 VDC ±25%
Power Consumption	Max. 4.3 W
Protection Level	IP67, IK10
Material	Metal
IR Range	Up to 60ft
Communication	Up the coax, Protocol: UTC-C (TVI output)
Dimensions	Ø 111 mm × 82.4 mm (Ø 4.4" × 3.2")
Weight	Approx. 350 g (0.77 lb.)

DIMENSIONS



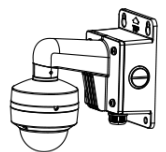
ACCESSORIES (Optional)



1259ZJ
Inclined Ceiling Mount



1271ZJ-110
Pendant Mount



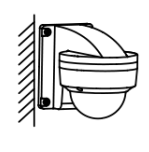
1272ZJ-110B
Wall Mount



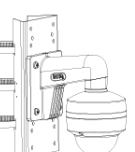
1272ZJ-110
Wall Mount



1280ZJ-DM18
Junction Box



1258ZJ
Wall Mount



1275ZJ-SUS
Vertical Pole Mount
(+1272ZJ-110)