

# 6 MP IR Network Fisheye Camera





## MODEL **THK-NCA16-FEA**



### KEY FEATURES

- 1/1.8" Progressive Scan CMOS
- Max. 3072 × 2048 @30fps
- Up to 18 live view display modes
- Digital WDR
- Up to 15m IR range
- Built-in microphone and speaker
- Smart features
  - 6 behavior analyses, and 3 exception detections
  - Heat map with deep learning algorithm
  - Intersection analysis by deep learning

 CMS (Remote Viewing Apps) --- NVMS (PC / MAC)  
 Mobile App --- Super Live Plus (ANDROID / iOS)

The DORI (detect, observe, recognize, identify) distance gives the general idea of the camera ability to distinguish persons or objects within its field of view. It is calculated based on the camera sensor specification and the criteria given by EN 62676-4: 2015.

DORI	Detect	Observe	Recognize	Identify
Distance(1.27 mm)	21.3 m	8.5 m	4.3 m	2.1 m

# THK-NCA16-FEA

## 6 MP IR Network Fisheye Camera

### SPECIFICATIONS

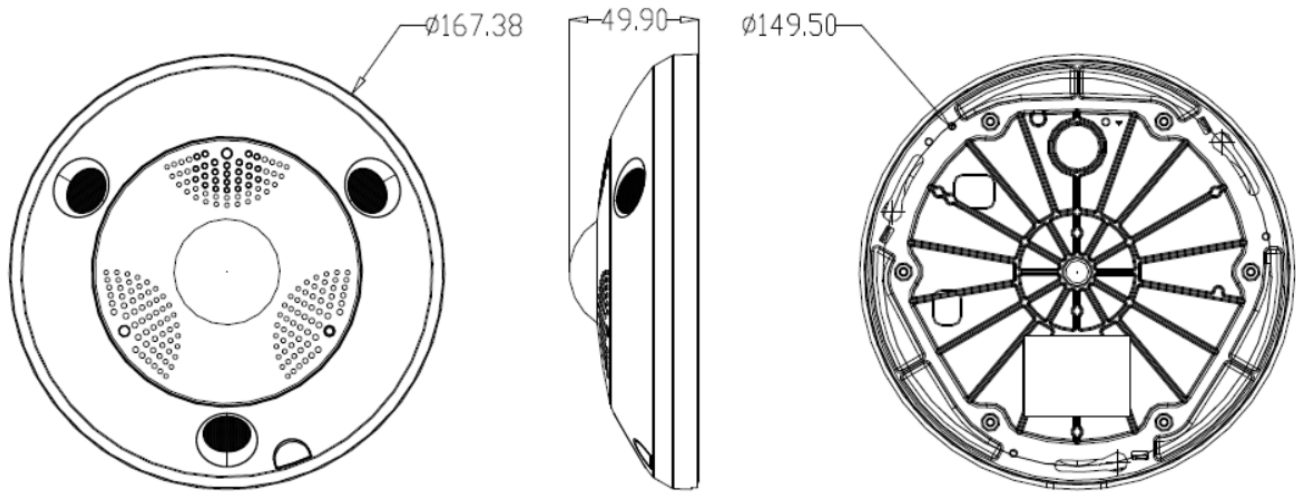
Specifications	Model	THK-NCA16-FEA
<b>Camera</b>		
Image Sensor		1/1.8" Progressive Scan CMOS
Min. Illumination		Color: 0.047 Lux @ (F2.6, AGC ON), B/W: 0.0047 Lux @ (F2.6, AGC ON), 0 Lux with IR
Shutter Speed		1 s to 1/100,000 s
Slow Shutter		Yes
Day & Night		IR Cut Filter
Digital Noise Reduction		3D DNR
WDR		Digital WDR
<b>Lens</b>		
Focal Length		1.27 mm
Aperture		F2.6
FOV		Horizontal FOV 180° (wall mount), 360°(ceiling mount), 360°(table mount)
Lens Mount		M12
<b>IR</b>		
IR Range		Up to 15 m IR range, 3 LEDs. Each LED is independently controlled.
Wavelength		850 nm
<b>Compression Standard</b>		
Video Compression		Main stream: H.265+/H.265/H.264+/H.264 Sub stream: H.265/H.264/MJPEG
H.264 Type		Baseline Profile/ Main Profile /High Profile
H.264+		Main stream supports
H.265 Type		Main Profile
H.265+		Main stream supports
Video Bit Rate		32 Kbps to 16 Mbps
SVC		H.265 and H.264 support
<b>Smart Feature-set</b>		
Behavior Analysis		Line crossing detection, intrusion detection, region entrance detection, region exiting detection, unattended baggage detection, object removal detection
Exception Detection		Audio exception detection
Intersection Analysis		Detects and analyze flow in an intersection-like scene, and generate reports Support one intersection of up to 10 ways
Heat Map		A graphic description of visits (calculated by people number or by dwell time) in a configured area. Two heat map report types are available, space heat map and time heat map line chart
People Counting		Counts people entering, exiting and passing by separately Supports real-time uploading and uploading by statistic cycle Sends email reports on daily, weekly, monthly or annually basis Supports target filtering by height
Region of Interest		4 fixed regions for main stream
<b>Image</b>		
Max. Resolution		3072 × 2048
Main Stream Max. Frame Rate		50Hz: 25fps (3072 × 2048, 2048 × 2048, 1280 × 1280) 60Hz: 30fps (3072 × 2048, 2048 × 2048, 1280 × 1280)
Sub Stream Max. Frame Rate		50Hz: 25fps (720 × 720, 720 × 480) 60Hz: 30fps (720 × 720, 720 × 480)
Image Enhancement		BLC, HLC, defog, 3D DNR
Image Setting		Saturation, brightness, contrast, sharpness, AGC and white balance are adjustable by client software or web browser
Day/Night Switch		Day/Night/Auto/Schedule/Triggered by Alarm In (-S)
Picture Overlay		LOGO picture can be overlaid on video with 128 × 128 24bit bmp format

<b>Live View Display</b>	
Mount Type	Support table, wall, and ceiling mounting
Decoding Mode	Support hardware decoding and software decoding
Display Mode	18 display modes in total Software decoding: Ceiling mount: fisheye view, 180 panorama view, 360 panorama view, 360 panorama + PTZ, 360 panorama + 3PTZ, 360 panorama + 6PTZ, 360 panorama + 8PTZ, 2PTZ, 4PTZ, fisheye + 3PTZ, fisheye + 8 PTZ, half sphere, cylinder Wall mount: fisheye view, panorama view, panorama + 3PTZ, panorama + 8PTZ, 4PTZ, fisheye + 3PTZ, fisheye + 8 PTZ Table mount: fisheye view, 180 panorama view, 360 panorama view, 360 panorama + PTZ, 360 panorama + 3PTZ, 360 panorama + 6PTZ, 360 panorama + 8PTZ, 4PTZ, fisheye + 3PTZ, fisheye+8 PTZ, cylinder Hardware decoding: Ceiling mount: fisheye view, 180 panorama view, panorama view, 4PTZ, fisheye + 3PTZ, 4PTZ fusion Wall mount: fisheye view, 180 panorama view, panorama view, 4PTZ, fisheye + 3PTZ, 4PTZ fusion Table mount: fisheye view, 180 panorama view, panorama view, 4PTZ, fisheye + 3PTZ, 4PTZ fusion
<b>Audio (-5)</b>	
Environment Noise Filtering	Yes
Audio Sampling Rate	8 kHz/16 kHz
Audio Compression	G.711/G.722.1/G.726/MP2L2/PCM
Audio Bit Rate	64Kbps(G.711)/16Kbps(G.722.1)/16Kbps(G.726)/32-160Kbps(MP2L2)
<b>Network</b>	
Network Storage	Support microSD/SDHC/SDXC card (256 G), local storage and NAS (NFS,SMB/CIFS), ANR
Alarm Trigger	Motion detection, video tampering alarm, network disconnected, IP address conflicted, illegal login, HDD full, HDD error
Protocols	TCP/IP, ICMP, HTTP, HTTPS, FTP, DHCP, DNS, DDNS, RTP, RTSP, RTCP, PPPoE, NTP, UPnP, SMTP, SNMP, IGMP, 802.1X, QoS, IPv6, UDP, Bonjour
Security Measure	Password protection, HTTPS encryption, IEEE 802.1x port-based network access control, IP address filter, basic and digest authentication for HTTP/HTTPS, WSSE and digest authentication for ONVIF
General Function	One-key reset, anti-flicker, heartbeat, mirror, password protection, privacy mask, watermark, IP address filter
Firmware Version	5.5.73
API	ONVIF (PROFILE S, PROFILE G), ISAPI
Simultaneous Live View	Up to 20 channels
User/Host	Up to 32 users. 3 user levels, administrator, operator and user
Web Browser	IE8+, Chrome31.0-44, Firefox 30.0-51, Safari8.0+
<b>Interface</b>	
Communication Interface	1 RJ45 10M/100M/1000M self-adaptive Ethernet port
Audio	2 built-in microphones, 1 built-in speaker, mono sound -S: 1 Audio input (line in, 3.5 mm), 1 audio output (line out, 3.5 mm)
Alarm (-A)	1-ch alarm input, max. 12 V; 1-ch alarm output, max 24 VDC, 1 A
On-board storage	Built-in micro SD/SDHC/SDXC slot, up to 256 GB
Reset Button	Yes
<b>General</b>	
Operating Conditions	-40 °C to +60 °C (-40 °F to +140 °F), Humidity 95% or less (non-condensing)
Power Supply	12 VDC±20%, PoE (802.3at, class 4), -S model: two-core terminal block Without -S model: Ø 5.5 × 2.1 mm coaxial power plug
Power Consumption	12 VDC, 1 A, max. 12.5 W PoE (802.3at, 42.5 to 57 V), 0.4 A to 0.3 A, max. 15 W
Protection Level (-FEA)	IP67, IK10
Heater	Yes
Material	Metal
Dimensions	Ø167.4 × 49.9 mm (6. 6" × 2")
Weight	Approx. 1400 g (3.09 lbs)

# THK-NCA16-FEA

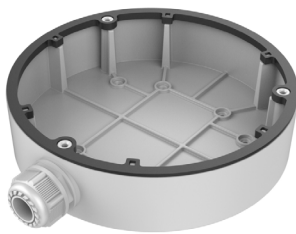
## 6 MP IR Network Fisheye Camera

### DIMENSIONS

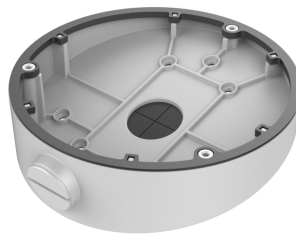


Unit: mm

### ACCESSORIES (Optional)



DS-1280ZJ-DM25(M1)  
Junction Box



DS-1281ZJ-DM25(M1)  
Inclined Ceiling Mount



DS-1273ZJ-DM25(M1)  
Wall Mount



DS-1271ZJ-DM25(M1)  
Pendant Mount



DS-1283ZJ-DM25(M1)  
Wall Mount (3-axis Adjustment)