

THK-NC325-XDZ

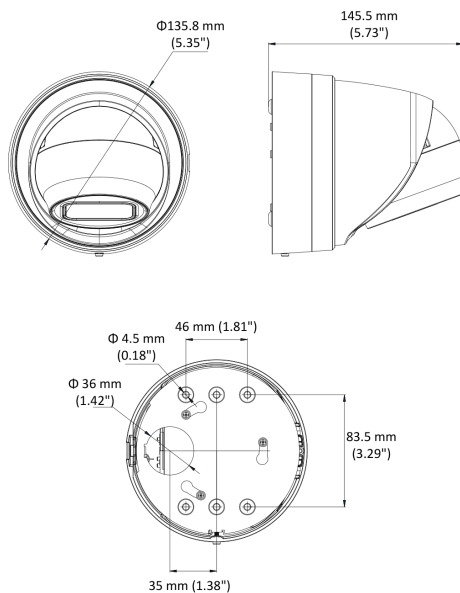
5 MP WDR Vari-focal Network Turret Camera



KEY FEATURES

- 1/2.9" Progressive Scan CMOS
- 2944 x 1656 resolution
- H.265, H.265+
- 120dB WDR
- IP67, IK10
- BLC/3D DNR/ROI
- Smart encoding : Support low bit rate, low latency
- 4 video Analytics and face detection

DIMENSIONS



THK-NC325-XDZ		
Camera	Image sensor	1/2.9" Progressive Scan CMOS
	Min. Illumination	Color: 0.01 Lux @ (F1.2, AGC ON), 0 Lux with IR Color: 0.014 LUX @ (F1.4, AGC ON), 0 Lux with IR
	Shutter Speed	1/3s TO 1/100,000s
	Day & Night	IR Cut Filter (True Day/Night)
	Wide Dynamic Range	120dB (True WDR)
	3-Axis Adjustment	Pan: 0 ° to 355°, tilt: 0 ° to 75°, rotate: 0 ° to 360°
	Focal Length	2.8 to 12 mm
	FOV	Horizontal field of view: 88° to 29° Vertical field of view: 47.5° to 16.5° Diagonal field of view: 103° to 33°
IR	IR Range	Up to 30m (90ft)
Compression Standard	Video Compression	Main stream: H.265+/H.265/H.264+/H.264 Sub stream: H.265+/H.265/H.264+/H.264/MJPEG Third stream: H.265+/H.265/H.264+/H.264
	Video Bit Rate	32 Kbps to 16 Mbps
	Audio Compression	G722.1/G711ulaw/G711alaw/MP2L2
	Audio Bit Range	32 to 128kbps
Smart Feature-set	Behavior Analysis	Line crossing detection, intrusion detection, unattended baggage detection, object removal detection, Face detection
	Region of Interest	Support 1 fixed region for each stream
Image	Max. Resolution	2944 x 1656
	Image Enhancement	BLC/3D DNR
	Image Setting	Rotate mode, saturation, brightness, contrast, sharpness adjustable by client software or web browser
Network	Network Storage	Support Micro SD/SDHC/SDXC (128G), local storage & NAS (NFS,SMB/CIFS), ANR
	Alarm Trigger	Motion detection, video tampering, network disconnected, IP address conflict, illegal login, HDD full, HDD error, Alarm input, Alarm output
	Protocols	TCP/IP, ICMP, HTTP, HTTPS, FTP, DHCP, DNS, DDNS, RTP, RTSP, RTCP, PPPoE, NTP, UPnP, SMTP, SNMP,IGMP, 802.1X, QoS, IPv6, Bonjour
	General Function	One-key reset, anti-flicker, three streams, heartbeat, password protection, privacy mask, watermark, IP address filter
	API	ONVIF (PROFILES, PROFILE G), PSIA, CGI, ISAPI
Interface	Audio	1 input (line in, 3.5 mm), 1 output(3.5mm), single track
	Communication Interface	1 RJ45 10M /100M self-adaptive Ethernet port
	Alarm	1 input, 1 output (max. 12 VDC, 30 mA)
	Video Output	1 Vp-p composite output (75 Ω /BNC)
Audio	Environment Noise Filtering	Support
	Audio Sampling Rate	16 kHz
General	Operating Conditions	-30 °C to +60 °C (-22 °F to +140 °F), Humidity 95% or less (non-condensing)
	Power Supply	12VDC \pm 10%, PoE (802.3af), Terminal block for DC input
	Power Consumption	12VDC, 0.92A, max. 11W PoE (802.3af, 37V to 57V), 0.22A to 0.35A, max. 12.5W
	Protection Level	IP67, IK10
	Material	Metal
	Dimensions	135.8mm x 145.5mm (5.35" x 5.73")
	Weight	Camera: 1287 g (2.84 lb.)