



TA-E5TVF6TQ-2.8

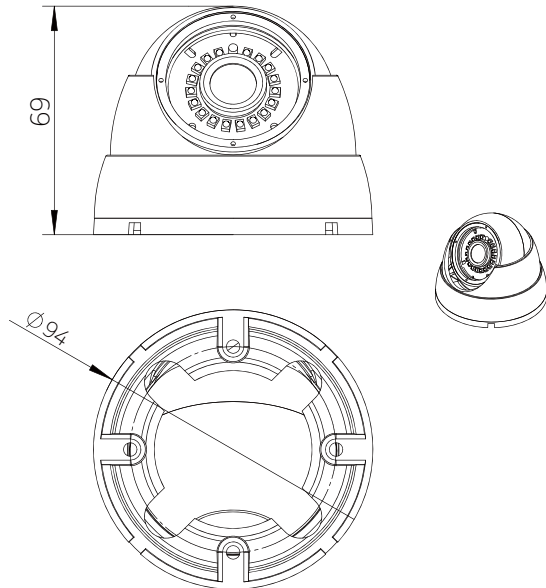
5MP Fixed Eyeball Camera



KEY FEATURES

- 5MP Fixed Eyeball Camera
- Support 4-IN-1
(TVI 5MP / AHD 4MP / CVI 4MP / CVBS 1200TVL)
- 1/2.9" SONY CMOS Sensor
- 2.8 Fixed Lens
- 18IR (60ft)
- Low Illumination
- TDN, DWDR, DNR, UTC, OSD
- 12 VDC (Weather resistant)

DIMENSIONS



TA-AC324-FD4M	
Image Sensor	1/2.9" SONY 6MP CMOS Sensor
Resolution	5MP / 4MP
Effective Pixels	5M: 2592 x 1944 / 4M: 2560 x 1440
Signal System	NTSC / PAL
Lens	Board Lens 2.8mm
Day & Night	ICR
Minimum Illumination	0.001Lux / F1.2
S/N Ratio	More than 50dB
Synchronous System	Internal
Video Frame Rate	TVI : 5M@20fps/12.5fps, 4M@30fps/15fps; AHD: 4M@30fps/15fps; CVI: 4M@30fps; CVBS: 1200TVL@30fps
Video Output	TVI / AHD / CVI / CVBS (Analog HD)
D/N Mode	Auto / Color / BW (Black and White)
White Balance	ATW / MWB
BLC	Support
IR Distance	60 Feet
IR Power On	Photodiode AUTO Control
Power Supply	-
Weather Proof	IP66
Dimensions (mm)	94 x 69 (H)
Weight (g)	400
Operating Conditions	-10° to 50°C RH95% MAX