

THK-NC325-VDZ

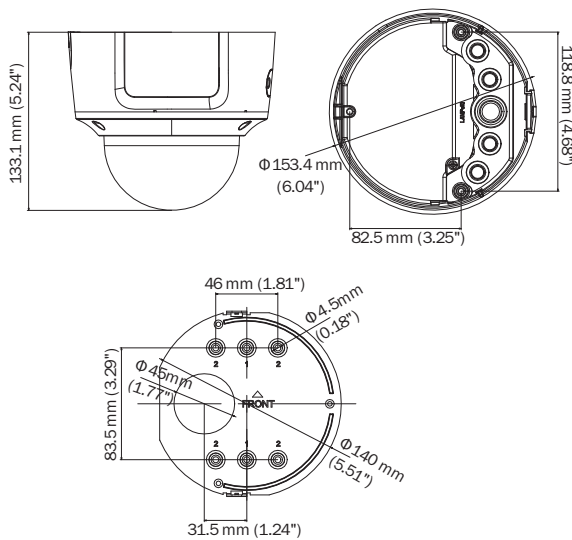
5 MP WDR Vari-focal Network Dome Camera



KEY FEATURES

- 1/2.9" Progressive Scan CMOS
- 2944 x 1656 resolution
- H.265, H.265+
- 120dB WDR
- IP67, IK10
- BLC/3D DNR/ROI
- Smart encoding : Support low bit rate, low latency
- 4 video Analytics and face detection
- Motorized, Auto-focus lens
- IR up to 90'

DIMENSIONS



THK-NC325-VDZ		
Camera	Image sensor	1/2.9" Progressive Scan CMOS
	Min. Illumination	Color: 0.01 Lux @ (F1.2, AGC ON), 0 Lux with IR B/W: 0.014 LUX @ (F1.4, AGC ON), 0 Lux with IR
	Shutter Speed	1/3s TO 1/100,000s
	Day & Night	IR Cut Filter
	Wide Dynamic Range	120dB
	3-Axis Adjustment	Pan: 0 ° to 355°, tilt: 0 ° to 75°, rotate: 0 ° to 355°
	Focal Length	2.8 to 12 mm
	Aperture	F1.4
Compression Standard	Video Compression	Main stream: H.265+/H.265/H.264+/H.264 Sub stream: H.265+/H.265/H.264+/H.264/MJPEG Third stream: H.265+/H.265/H.264+/H.264
	Video Bit Rate	32 Kbps to 16 Mbps
	Audio Compression	G722.1/G711ulaw/G711alaw/MP2L2
	Audio Bit Range	32 to 128kbps
Smart Feature-set	Behavior Analysis	Line crossing detection, intrusion detection, unattended baggage detection, object removal detection, Face detection
	Region of Interest	Support 1 fixed region for each stream
Image	Max. Resolution	2944 x 1656
	Day/Night Switch	Auto / Scheduled / Alarm Trigger
Network	Network Storage	Support Micro SD/SDHC/SDXC (128G), local storage & NAS (NFS,SMB/CIFS), ANR
	Protocols	TCP/IP, ICMP, HTTP, HTTPS, FTP, DHCP, DNS, DDNS, RTP, RTSP, RTCP, PPPoE, NTP, UPnP, SMTP, SNMP,IGMP, 802.1X, QoS, IPv6, Bonjour
	General Function	One-key reset, anti-flicker, three streams, heartbeat, password protection, privacy mask, watermark, IP address filter
	Standards	ONVIF (PROFILES, PROFILE G), PSIA, CGI, ISAPI
Interface	Audio	1 input (line in, 3.5 mm), 1 output(3.5mm), single track
	Communication Interface	1 RJ45 10M /100M self-adaptive Ethernet port
	Alarm	1 input, 1 output (max. 12 VDC, 30 mA)
	Video Output	1 Vp-p composite output (75 Ω/BNC)
	On-board Storage	Built-in Micro SD/SDHC/SDXC slot, up to 128 GB
Audio	Environment Noise Filtering	Support
	Audio Sampling Rate	16 kHz
General	Operating Conditions	-30 °C to +60 °C (-22 °F to +140 °F), Humidity 95% or less (non-condensing)
	Power Supply	12VDC ± 10%, PoE (802.3af), Terminal block for DC input
	Power Consumption	12VDC, 0.8A, max. 10W PoE (802.3af, 37V to 57V), 0.1A to 0.3A, max. 11.5W
	Protection Level	IP67, IK10
	Weight	Camera: 1287 g (2.84 lb.)