

# THK-NC328-XB

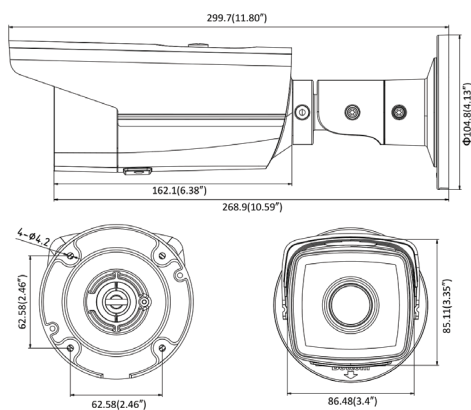
## 8MP Network Bullet Camera



### KEY FEATURES

- Up to 8 megapixel high resolution
- Max. 3840 x 2160 @20fps
- H.265, H.265+, H.264+, H.264
- 120dB Wide Dynamic Range
- 3D Digital Noise Reduction
- 12 VDC & PoE (802.3af)
- IR range : 50m (150 Ft.)
- Support on-board storage, up to 128GB
- IP67

### DIMENSIONS



Unit: mm

THK-NC328-XB		
Camera	Image sensor	1/2.5" Progressive Scan CMOS
	Min. Illumination	Color: 0.01 Lux @ (F1.2, AGC ON), 0 Lux with IR
	Shutter Speed	1/3s to 1/100,000s
	Slow Shutter	Support
	Lens	4 mm, horizontal field of view: 79° 6 mm, horizontal field of view: 50°
	Day & Night	IR Cut Filter
	Digital Noise Reduction	3D DNR
	Wide Dynamic Range	120dB
3-Axis Adjustment	Pan: 0 ° to 360°, tilt: 0 ° to 100°, rotate: 0 ° to 360°	
Compression Standard	Video Compression	Main stream: H.265/H.264
		Sub stream: H.265/H.264/MJPEG
Third stream: H.265/H.264		
	Video Bit Rate	32 Kbps to 16 Mbps
Image	Max. Resolution	32 Kbps to 16 Mbps
	Image Enhancement	BLC/3D DNR
	Image Setting	Support rotate mode, brightness, contrast, saturation, and sharpness are adjustable via web browser and client software
	ROI (Region of Interest)	Support 1 fixed region for mainstream and sub stream separately
	Day/ Night Switch	Auto/Scheduled
Network	Network Storage	Support Micro SD/SDHC/SDXC card (128G), local storage, NAS (NFS,SMB/CIFS), ANR
	Alarm Trigger	Motion detection, Tampering Alarm, Network Disconnected, IP Address Conflict, Illegal Login, HDD full, HDD error
	Protocols	TCP/IP, UDP, ICMP, HTTP, HTTPS, FTP, DHCP, DNS, DDNS, RTP, RTSP, RTCP, PPPoE, NTP, UPnP, SMTP, SNMP,IGMP, 802.1X, QoS, IPv6
	Standard	ONVIF (PROFILE S, PROFILE G), PSIA, CGI, ISAPI
	General Function	One-key reset, Anti-Flicker, Heartbeat, Mirror, Password Protection, Privacy Mask, Watermark, IP Address Filter
	Communication	1 RJ45 10M/100M self-adaptive Ethernet port
Smart Feature-set	Video Analytics	Line crossing detection, intrusion detection, unattended baggage detection, object removal detection, Face detection
General	Operating Conditions	-30 °C to +60 °C (-22 °F to +140 °F), Humidity 95% or less (non-condensing)
	Power Supply	12VDC ± 25%, PoE (802.3af 42.5 - 57V, class 3)
	Power Consumption	12VDC ± 25%, 7.5W; PoE 9.5W
	IR Range	up to 50 m (150 ft.)
	Protection Level	IP67
	Dimensions	Camera: 104.8 x 299.7 mm ( 4.13" x 11.8") Package: 386 x 156 x 155 mm (15.2" x 6.14" x 6.1")
	Weight	Camera: 1200 g (2.65 lb.)