



TA-BM37FS-Q

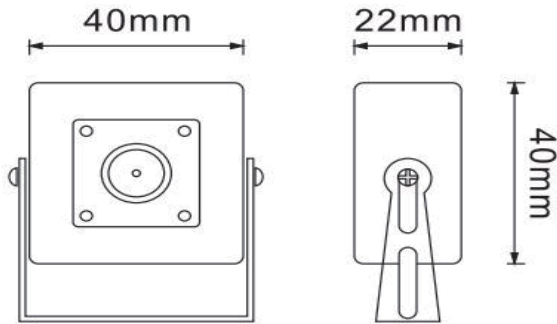
1080P Pinhole Camera



KEY FEATURES

- 1/2.8" 2.4MP CMOS
- 1080P@25, 1080P@30
- Long Distance, No delay
- Support ICR auto switch
- Support TVI / AHD / CVI / CVBS

DIMENSIONS



TA-BM37FS-Q	
Image Sensor	1/2.8" 2.4 MP CMOS
Resolution	1920(H) X 1080(V)
Signal System	PAL / NTSC
Lens	3.7mm Fixed Lens
Day & Night	IR Cut Filter
Minimum Illumination	0.01Lux @ F1.2, 0 Lux with IR
S/N Ratio	More than 50dB
Synchronous System	Internal
Video Frame Rate	PAL: 25fps(1080P), NTSC: 30fps(1080P)
Video Output	TVI / AHD / CVI / CVBS (Analog HD)
D/N Mode	Auto / Color / BW (Black and White)
White Balance	ATW / MWB / Indoor / Outdoor
BLC	-
Electronic Shutter	PAL: 1/50s ~ 1/100,000s; NTSC: 1/50s ~ 1/100,000s
LED	-
IR Distance	-
IR Power On	Photodiode AUTO Control
Power Supply	12VDC
Weather Proof	-
Dimension (mm)	40 x 22 x 40(H) mm
Weight (g)	-
Operating Conditions	-10° to 50°C