



TA-BTVAF18TQ

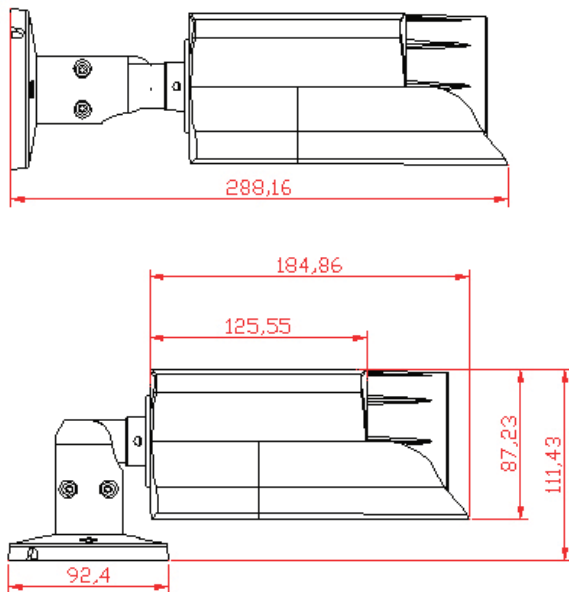
Motorized IR Bullet Camera



KEY FEATURES

- 1/2.9" SONY 2.1MP CMOS Sensor
- HDTV / HDCVI / AHD / CVBS
- Motorized auto focus HD lens, auto trigger focus after zoom
- OSD menu control over coaxial cable (UTC)
- Ultra low light and high dynamic range
- True Day/Night (ICR), AWB, AGC, BLC, 3D NR, DWDR

DIMENSIONS



TA-BTVAF18TQ	
Image Sensor	1/2.9" SONY 2.1MP CMOS Sensor
Resolution	1944(H) X 1092(V)
Signal System	PAL / NTSC
Lens	2.8~12mm Varifocal Lens
Day & Night	Auto ICR / B&W / Color
Minimum Illumination	0.01Lux @ F1.2 (AGC On), 0 Lux IR LED On
S/N Ratio	More than 50dB
Synchronous System	Internal
Video Frame Rate	25/30fps@ 1920x1080P
Video Output	1 channel, TVI / AHD / CVI / CVBS optional
D/N Mode	Auto / Color / BW (Black and White)
White Balance	ATW / MWB
BLC	Support
Electronic Shutter	1/60s ~ 1/60,000s
LED	3 pcs Array IR LEDs
IR Distance	50-60m (180ft)
IR Power On	Photodiode AUTO Control
Power Supply	DC12V ± 10%
Weather Proof	-
Dimension (mm)	288 x 87 x 89 mm (11.3" x 3.4" x 3.5")
Weight (g)	1.2kg (2.65lbs)
Operating Conditions	-30° to 60°C; Humidity: Less than 95%RH