

# 5MP IR Dome Network Camera



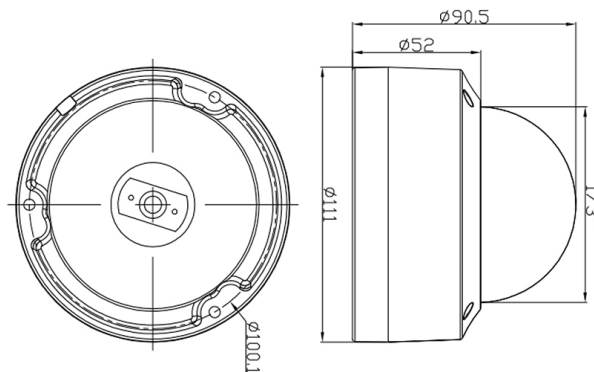
MODEL **TI-NC405-TDA-28**



## KEY FEATURES

- High quality imaging with 5 MP resolution
- Max. 5MP (2592\*1944)
- Network Camera (IP)
- H.265/H.264 dual-stream media service
- Easy-to-use Plug & Play
- Low lux / Day/Night (ICR), DWDR
- Lightning protection 4000V
- 12 VDC & PoE / Water-proof IP66
- 18pcs SMD IR 90FT
- 2.8mm Fixed Lens
- Internal Microphone

## DIMENSION



# TI-NC405-TDA-28

## 5MP IR Dome Network Camera

### SPECIFICATIONS

2592(H)×1944 (V)	TI-NC405-TDA-28
<b>Camera</b>	
Image Sensor	1/2.7" 5MP OS05A10 CMOS
Effective Pixels	2592(H)×1944 (V)
Electronic Shutter	AUTO, 1/25s ~ 1/100000s
Min. Illumination	0.01Lux@F1.2(AGC ON), 0Lux IR on
Day/Night	Auto/Color/(B/W)/Timing
WDR	Digital WDR
White Balance	Auto /Manual
AGC/BLC/HLC	Support
DNR	2D/3D DNR
Other	Multi-lines OSD, Motion Detection, Privacy Mask, Mirror, Flip
<b>Encode</b>	
Video Standard	H.264/H.265
Video Resolution	Main Stream:15fps@5MP(2592x1944),25fps@4MP/3MP,30fps@1080P/720P Sub Stream: D1/VGA(640x480)/360P/QVGA@30fps
Video Bitrates	32Kbps - 8Mbps, VBR/CBR
Audio Standard	G.711-u/G.711-a, optional Mic
OSD Overlay	Title and Time overlay
<b>IR Led</b>	
IR Led	18pcs SMD IR Led
IR Distance	90 ft
<b>Lens</b>	
Focal Length	2.8mm Fixed lens
<b>Optional</b>	
Optional Functions	POE, Audio, etc.
<b>Network Services</b>	
Protocol	HTTP/RTSP/FTP/SMTP/DHCP/NTP/NFS, etc.
P2P	Yes
Web	IE, Firefox, (32bit ESR), etc.
Media	CMS, Android, iOS
ONVIF	17.06 compatible
<b>General</b>	
Network Port	1-RJ45, 100Mbps, POE optional
Power Supply	12 VDC ± 10%
Power Consumption	< 8 W
Operating Temp	-22°F – 140°F, 10% – 90%RH