

8MP(4K) Fixed Dome Network Camera



MODEL **TI-NC418-TDA-28**



KEY FEATURES

- 4K(8MP 3840 x 2160), 1/2.8" Sony CMOS sensor
- Human & Vehicle Detection, Motion Detection, Privacy Mask, Mirror
- Low illumination 0.01Lux
- Day/Night (ICR), AWB, AGC, BLC, 2D/3D-DNR, IR-CUT
- D-WDR, License Plate Mode, Multi-lines OSD
- RTSP and ONVIF 17.06 Compatible
- H.265 / H.264 / H.265+ Dual-stream Media Server
- Easy-to-use P2P Cloud Service
- Multi web browser, PC Client, Mobile APP, Remote access
- RJ45 100Mbps Network Port, IEEE802.3af PoE
- Lightning Protection 4000V
- Strong Water-proof Housing, IP67
- 18pcs SMD IR LEDs, IR Distance 60 - 98 ft (20-30 meters)
- 2.8mm Fixed Lens
- Build in MIC and SD Slot

TI-NC418-TDA-28

8MP(4K) Fixed Dome Network Camera

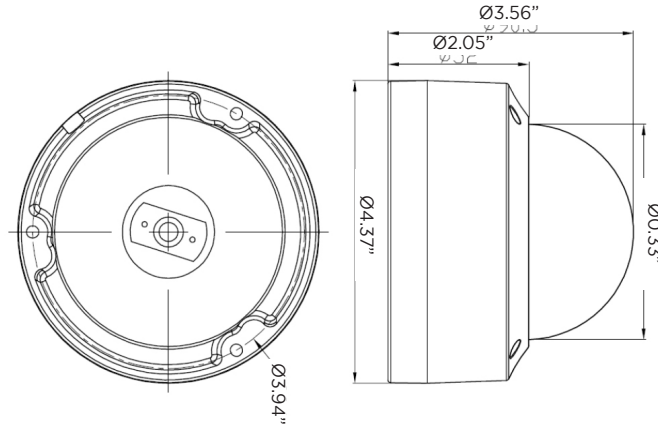
SPECIFICATIONS

Model	TI-NC418-TDA-28
Camera	
Image Sensor	1/2.8" Sony CMOS
Min.Illumination	Color: 0.01 Lux @ (F1.2, AGC ON), 0 Lux with IR on
Effective Pixels	8MP 3072(H) x 2048 (V)
Electronic Shutter	AUTO, 1/25s - 1/100000s
Day/Night	Auto/Color/(B/W)/Timing
Wide Dynamic Range	DWDR
White Balance	Auto /Manual
AGC/BLC/HLC	Support
DNR	2D/3D DNR
Other	Multi-Line OSD, Motion Detection, Privacy Mask, Mirror
Lens	
Lens Type	2.8mm
Illuminator	
IR Led	18 pcs SMD Array IR Leds
IR Range	Up to 90 ft (30 m)
Encode	
Video Standard	H.264/ H.265
Video Resolution	Main Stream: 25 fps @ 6MP (3072 X 2048)/ 5MP(2592 x 1944), Sub Stream: 30 fps @ D1/VGA/360P/CIF, etc
Video Bit Rate	64 Kbps to 8 Mbps, VBR/CBR
Audio Standard	G.711-u/G.711-a/AAC
Built-in Mic	Yes
Smart Event	Humna / Vehicle Detection
Optional Function	
	POE, Audio, rtc
Network	
Protocol	HTTP(S)/RTSP/RTMP/FTP/NFS/SNMP/DHCP/NTP, etc
P2P	Yes
Protocols	IE, Firefox 32bit ESR, etc
Media	CMS, Android, iOS
ONVIF	17.06 Compatible
Network	
Network Port	1-RJ45, 100Mbps, POE optionl
Power Supply	12 VDC PoE
Power Consumption	< 5W
Operating	-22°F~ 140°F (- 30 °C ~ 60 °C) , 10%-90% RH


TI-NC418-TDA-28

8MP(4K) Fixed Dome Network Camera

DIMENSIONS



ACCESSORIES

DS-1280ZJ-DM18	PT-JB-17-W
<p data-bbox="505 1062 727 1083">JUNCTION BOX FOR MINI DOME</p> 	<p data-bbox="862 1062 1084 1083">JUNCTION BOX FOR MINI TURRET</p> 